

**GEOGRAPHIC INFORMATION SYSTEMS
DIVISION**

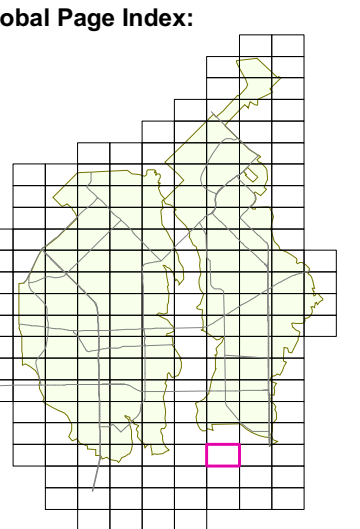
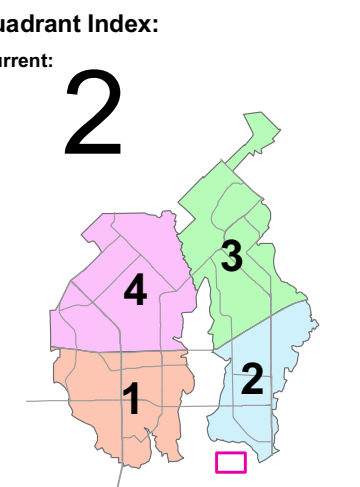
City of Rowlett
Geographic Information Systems
3901 Main Street, P.O. Box 99
Rowlett, Texas 75080 - 0099
Ph: 972-463-3993 Fax: 972-412-6228
Email: gis@cityofrowlett.com
Visit us on the web at:
<http://www.ci.rowlett.tx.us/Rowlett/Departments/GIS>



**2007
CITY OF ROWLETT
Aerial Map Book**

Disclaimer: This map is for general illustrative purposes only. All information depicted on this map was verified and believed accurate at the time of publication. However, no representation of warranty is made concerning the accuracy, completeness, or quality of this map. Specifically, this information is not intended to be complete for purposes of land use restriction, zoning, title, size, and suitability of the property specific use. Aerial images are made available from outside sources. Some aerial images files outside of the City may have been taken in the winter of 2007.

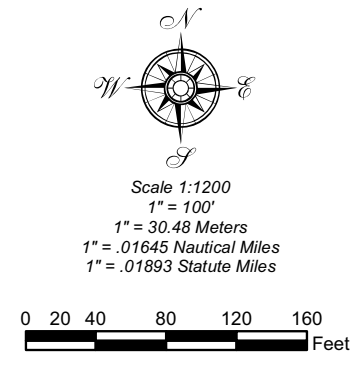
- Legend**
- Fire Hydrants
 - Page Index Lines
 - A / 6 Reference Grid Index



Local Page Index:

112	134	156
113	135	157
114	136	158

Current Tile Name: e2571706a



Designed and Published by:
Rowlett Geographic Information Systems (GIS) Division
City of Rowlett, 3901 Main Street, Rowlett, Texas 75080
Data Source: North Central Texas Council of Governments
City of Rowlett GIS Division and other departments

MAP PROJECTION:
TEXAS 4302, North Central Zone
(1983, US Survey Feet)

**MAP PAGE NUMBER:
135**